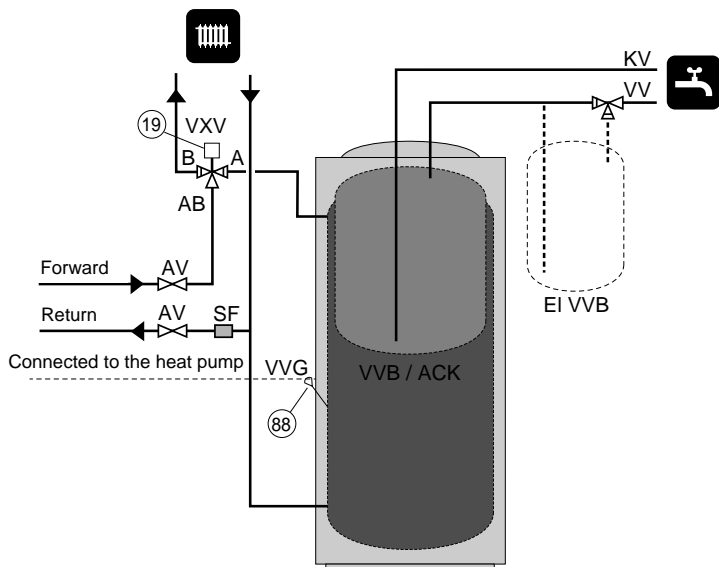


Hot water control VST 11

General

This accessories provides the heat pump FIGHTER 1110 with the possibility to prioritise hot water charging on systems with floating condensing. This also requires a hot water accumulator, for example, NIBE VPA. When the hot water temperature sensor (88) is connected the control system is automatically activated for the charging functions. When there is a demand for hot water, the heat pump gives this priority and devotes its entire output to water heating. No room heat is produced in this mode. When there is a demand for hot water the maximum time for water heating is 60 minutes. After this, room heating is produced for 15 minutes before further water heating can take place. Hot water charging starts when the hot water sensor (88) has fallen to the set start temperature (30 – 49 °C). The 3-way valve (19) is fitted so that it switches between the heating system and the water heater, i.e. when the accumulator/water heater is charged the valve switches over to the radiators/floor heating system.




In order to reach the maximum hot water temperature, hot water charging is stopped by the operating pressure switch on the heat pump. The water heater is equipped with the requisite safety equipment.

Component key

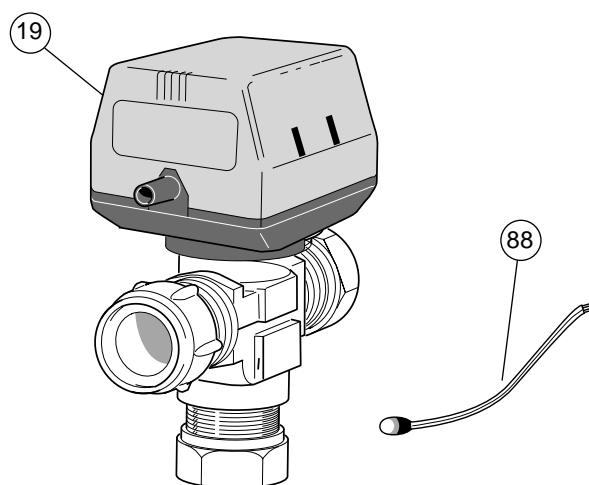
AV	Shutoff valve
SF	Particle filter
VVG	Hot water sensor
VXV	Threeway valve
VVB/ACK	Water heater/accumulator
EI VVB	Electric hot water heater

Extra hot water

When hot water control is used without the accessory Electrical Supplement FIGHTER 1110 the variable **XHW stop** in the service menu must be changed to 50 °C. See the Installation and Maintenance Instructions FIGHTER 1110 for information. If the Electrical Supplement accessory is fitted additional functionality is available for temporary and periodic increase of the hot water temperature. This increase occurs to approx. 60 °C where the increase above 50 °C is handled by the Electrical Supplement. The duration for the  temporary increase is 24 h, and the periodic increase interval is between 1 and 90 days.

The functions are activated using the “Extra Hot Water” button on FIGHTER 1110’s front panel. Pressing the button once activates the temporary increase, and pressing it twice activates the periodic increase.

Components



List of components

- 19 Motor valve, radiator/heater
- 88 Temperature sensor, supplied with FIGHTER 1110

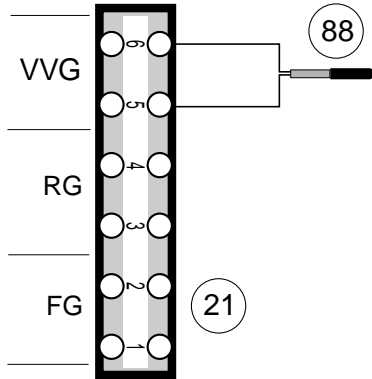
Technical specifications



Voltage	230 V, 50 Hz, 6 VA
Connections	Ø 28 mm, Compression ring

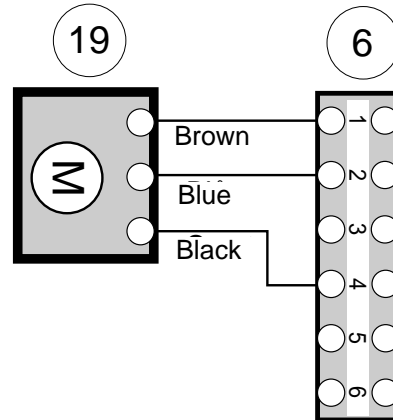
Connection of the hot water sensor

The sensor (88) is connected to terminal block 21 at positions 5 and 6. The sensor cable is routed through the right-hand cable duct and out to the accumulator tank/water heater. The sensor (88) is supplied with FIGHTER 1110 and is not included with this accessory.



Wiring diagram, shuttle valve

The 3-way valve is connected to terminal block 6.

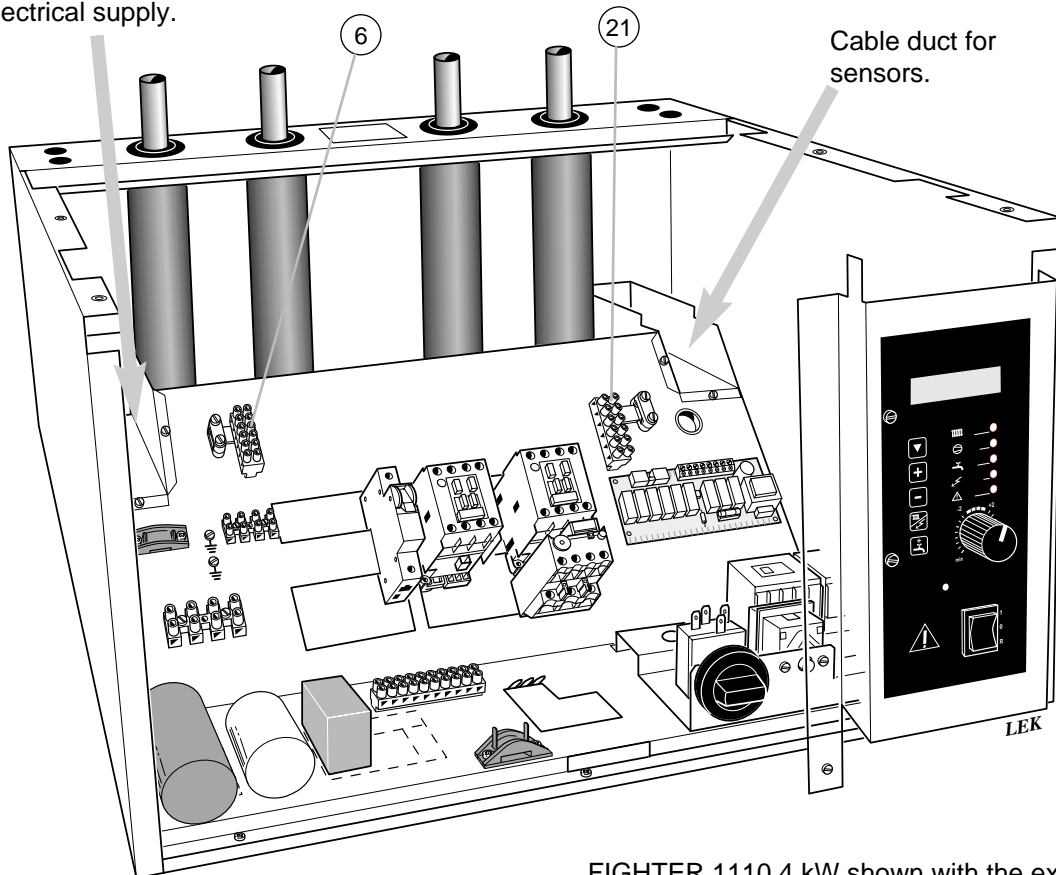


NOTE!

The electrical installation must be carried out by a qualified electrician. The electrical installation and wiring must conform to current regulations.

Component placement, electrical connection area

Cable duct for the electrical supply.



Cable duct for sensors.

FIGHTER 1110 4 kW shown with the extra equipment

VST 11



NIBE AB
SWEDEN

Box 14
Järnvägsgatan 40
SE-285 21 MARKARYD
Tel: +46 - (0)433 - 73 000
Fax: +46 - (0)433 - 73 190
www.nibe.com